



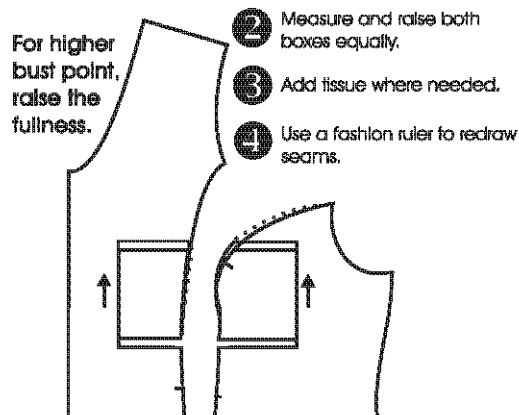
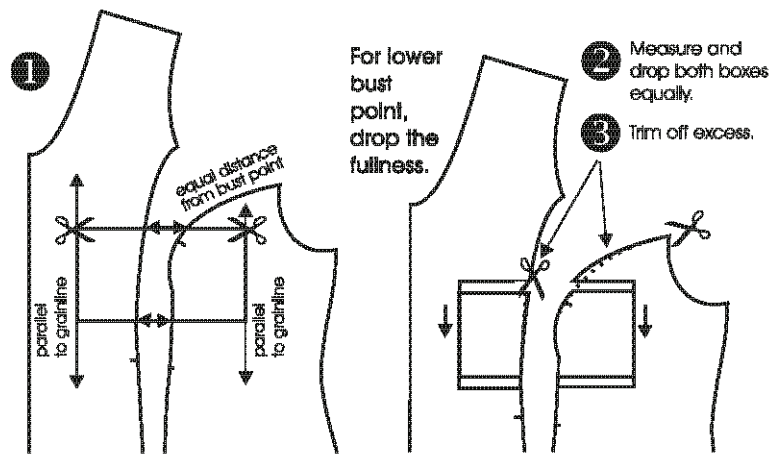
## Raising or Lowering the Bust Point on a Princess Seam

In a princess seamed garment, the point where the fullness begins to turn downward is the apex or bust point.

For a smooth fit, it's important to get the fullness in the right place for your bust.

Here's how to move the bust point up or down.

Draw a box at the bust (point on front and side front), then cut out the boxes.



### PETITE PLUS PATTERNS

785 First Street  
PO Box 157  
Sointula BC  
Canada V0N 3E0

Telephone:  
Toll Free Canada & USA  
1-877-909-8668

Local & Overseas  
250-973-2327

Fax: 250-973-6005

info@petitepluspatterns.com  
www.petitepluspatterns.com