

Change Sleepwear to Beachwear

It's easy to make a beach or patio dress from a night gown. Start with Petite Plus Patterns, #401 Simple Yoked Nightgown & Pyjamas.



Making a beach or patio dress, can be as easy as cutting the pattern in a cool **Hawaiian print**.



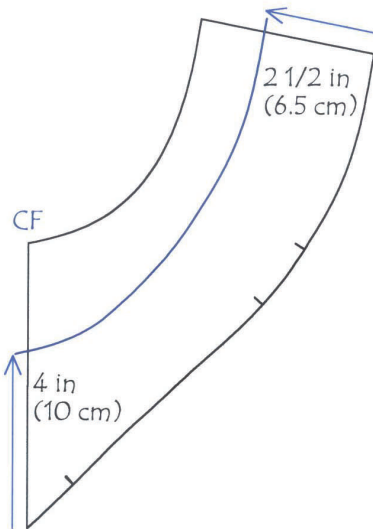
If you want to have an **extra-full** dress like the one shown at right, cut a larger size. Marie is wearing a size 20 on her size 16 figure.



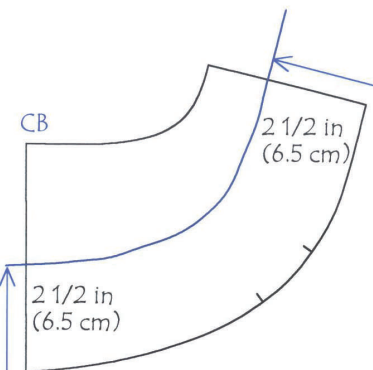
For a **plunging neckline**, the secret is to trim away some of the neckline. Here's how.

1. **Trace** off the Front and Back Yoke pieces onto pattern tracing paper.

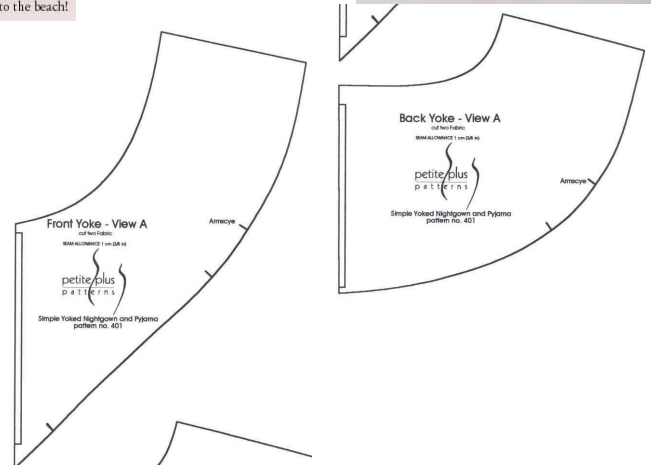
2. On the **Front Yoke**, measure up from the lower edge, 2 1/2 inches (6.5cm) at the shoulder point and 4 inches (10 cm) at the Center Front.



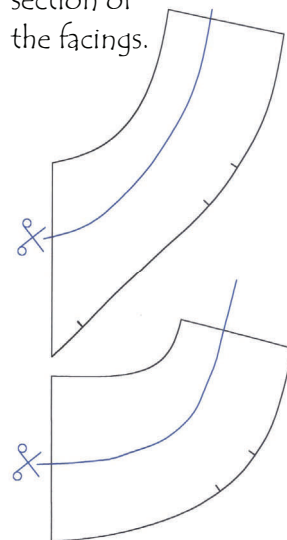
3. On the **Back Yoke**, measure up from the lower edge 2 1/2 inches (6.5cm) inches at both shoulder point and Center Back.



4. Using a French Curve, **draw** the new neckline.



5. **Trim** off the upper section of the facings.



6. **Label** the new pattern pieces.

